

Char-Broil® GRILL 2 GO ICE®



Assembly Guide

Model Numbers:

08401504-A1
08401504-A2
08401504
10401582
10401589
10401590
10401591
10401592
10401593
10401594

Propane cylinder
sold separately.

Allow approximately 45 minutes for assembly.



PROPANE

(English)

42804526 • 06/22/2010
Step 3

CAUTION: For your safety, before operating, Read Product Guide & Outdoor Cooking Guide provided with this grill.

SAFETY First.....Grill components may have sharp edges. Be careful when handling grill parts during assembly. We suggest that you wear a sturdy pair of leather gloves while handling the grill parts.*

BEFORE You begin assembly of your grill....

1. Carefully remove all components from the carton.
2. Familiarize yourself with the components and hardware used for assembly.
3. Please note that hardware used for assembly may not be shown actual size..
4. After removing components from the carton, split the carton open and use it as a scratch-free work pad to assemble your grill.

BEFORE You Grill....

1. Read Product Guide & Outdoor Cooking Guide
2. Position Grill safely away from walls & structures
3. Pre- Heat Grill—15 minutes on **High** to season grill.

TIPS & Tricks.....

First - Go to charbroil.com to register your grill.-

Take a moment to record the serial number here: _____

When grilling, preheat your grill for 10 to 15 minutes with the lid down.

After grilling—the grill can be turned on **High** for cleaning and burning off the grate.

A light coat of oil on the grate will help prevent foods like fish and vegetables from sticking to the grate.

NOTE....

Installer: Leave instructions with the grill.

Consumer: Retain instructions for reference.
Grill must be installed in accordance with local codes....

Designed for outdoor use only...

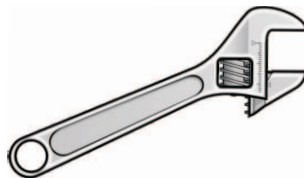
Read all instructions before operating...

TOOLS REQUIRED FOR ASSEMBLY

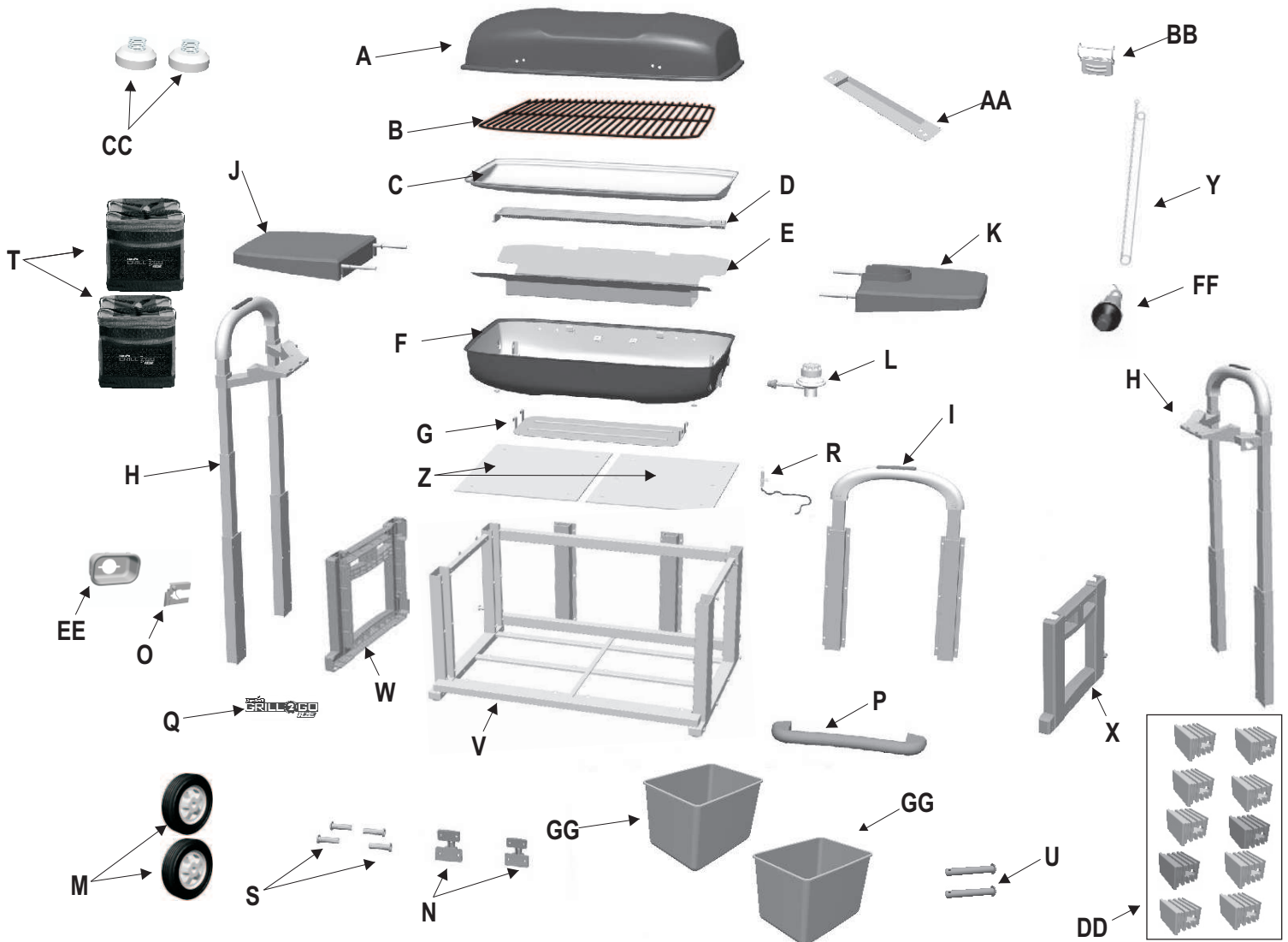
(Not Supplied)



Phillips Head
Screwdriver



Small Adjustable
Wrench



Key	Qty	Description
A	1	Grill Lid
B	1	Cooking Grate
C	1	Trough
D	1	Burner
E	1	Inner Reflector
F	1	Firebox Bottom
G	1	Heat Shield
H	2	Side Lift Mechanism
I	1	Rear Lift Mechanism
J	1	Left Side Shelf
K	1	Right Side Shelf
L	1	Regulator Control Valve
M	2	Wheel

Key	Qty	Description
N	1	Hinge Set
O	1	Venturi Latch Assembly
P	1	Handle
Q	1	Logo Plate
R	1	Electrode with Wire
S	2	Side Shelf Bushings
T	2	Cooler Bag
U	2	Axle Rod
V	1	Cart Base
W	1	LH Cart Fascia
X	1	RH Cart Fascia
Y	1	Match Holder
Z	2	Cooler Tray Kit

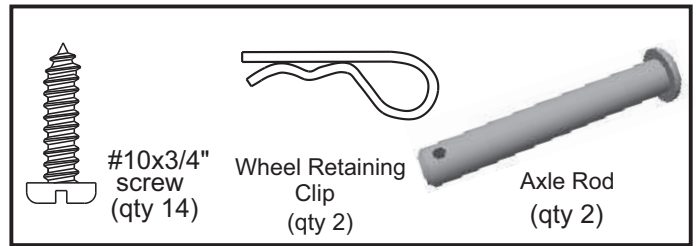
Key	Qty	Description
AA	1	Handle Heat Shield
BB	1	Lid Clasp
CC	2	Cart Foot
DD	10	Tube Plug
EE	1	Venturi Guard
FF	1	Piezo Ignitor Button
GG	2	Cooler Liner
...	1	Hardware Pack
...	1	Assembly Manual, English
...	1	Assembly Manual, Spanish
...	1	Assembly Manual, French
...	1	Product Guide, English
...	1	Product Guide, Spanish
...	1	Product Guide, French

NOTE: Some grill parts shown in the assembly steps may differ slightly in appearance from those on your particular model. However, the method of assembly remains the same.

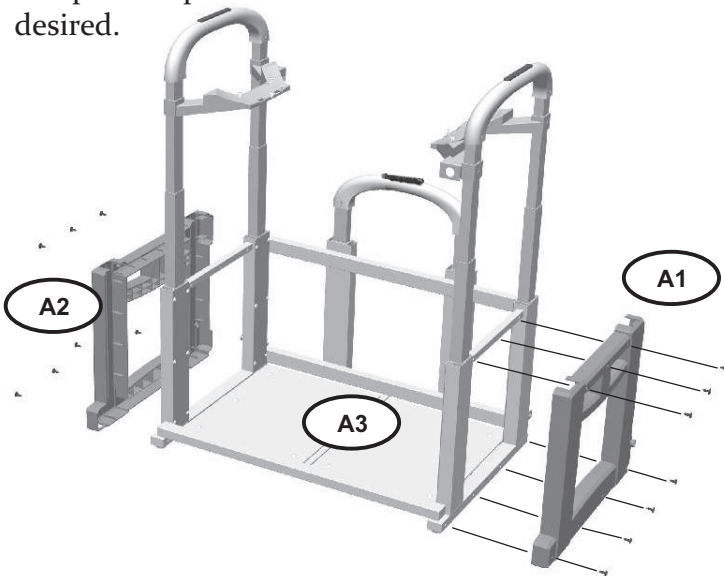


Part	Qty
A1 – Cart RH Side Fascia	1
A2 – Cart LH Side Fascia	1
A3 – Cart Base	1
A4 – Cart Foot	2
A5 – Wheels	2

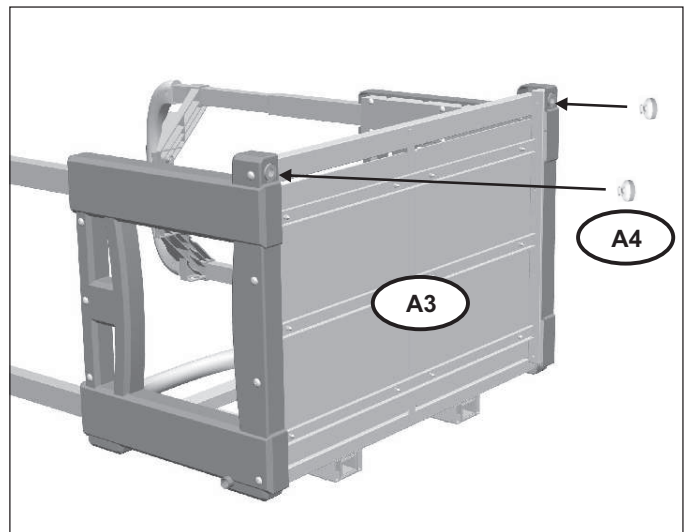
Fasteners



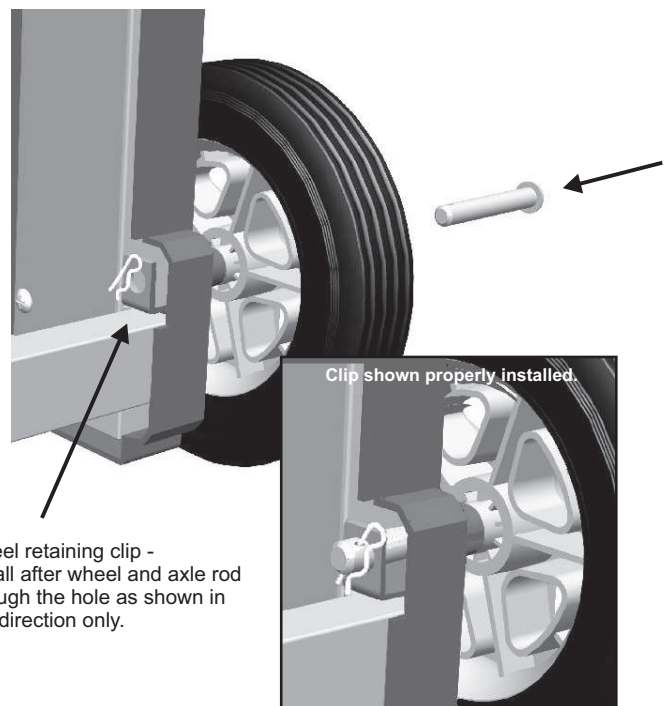
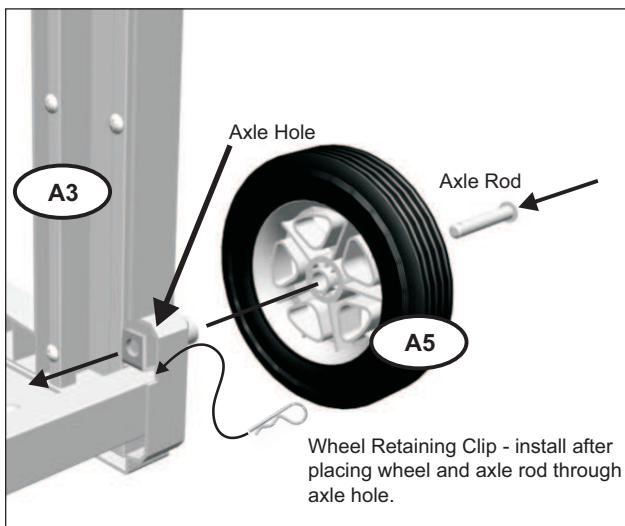
Step 1: Assemble the LH and RH Side Fascia (A1 & A2) to the Cart Base (A3) by aligning screw holes in the fascias with corresponding holes in the cart base. Secure with 7 each, #10x3/4 screws (7 per side) using a phillips screwdriver. Repeat for other side. NOTE: The lift handles are shown in the up position. You can complete steps 1 and 2 with the handles lowered if desired.



Step 2: Carefully place the cart assembly on its back. Install the Cart Feet (A4) by threading them into the bushings as shown. Securely tighten the cart feet.



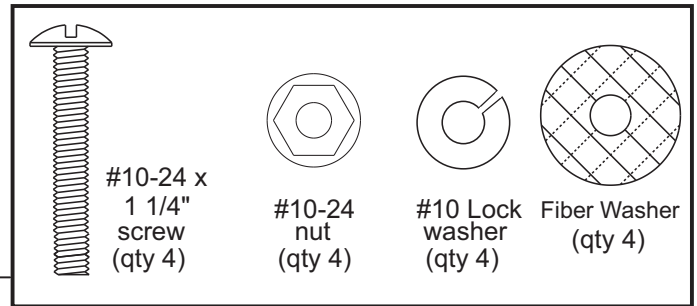
Step 3: Assemble the Wheels (A5) to the Cart Base (A3) by first sliding an axle rod through the wheel, then sliding the axle rod through the axle rod holes in the cart base. Secure with a wheel retaining clip. Repeat for the other side.



B

Part	Qty
B1- Heat Shield	1
B2- Fire Box Assembly	1

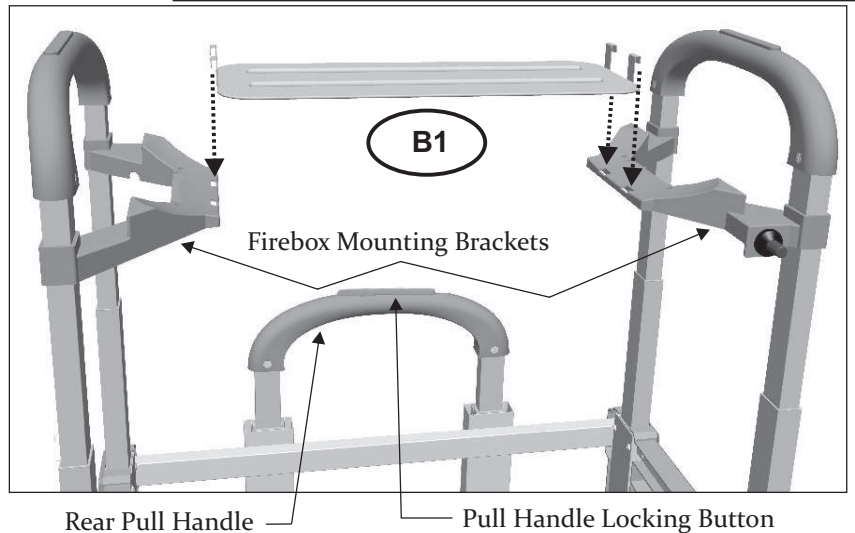
Fasteners



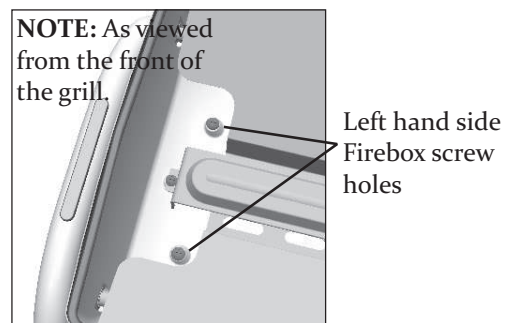
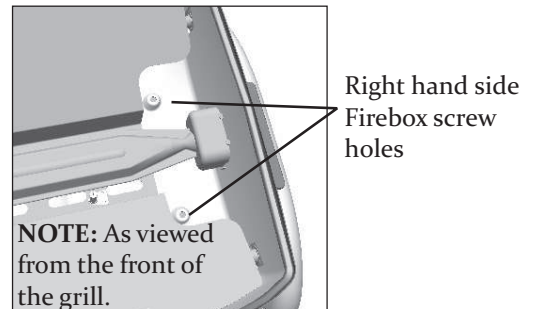
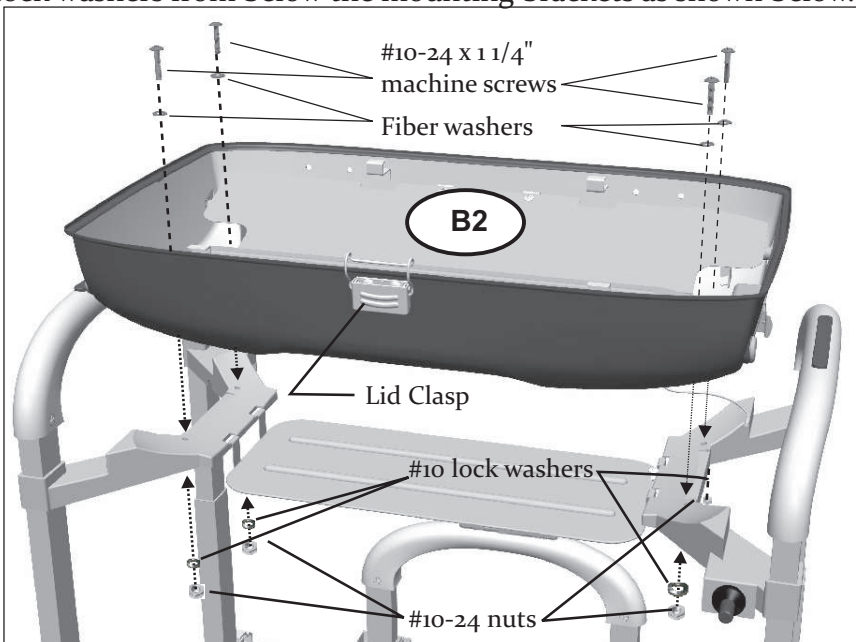
Note: Before beginning this step of the assembly, raise the two side lifts to their highest position by pressing the button at the top of the handle and pulling upward on the handle.

The pull handle at the rear of the cart also has a locking button, press the button to raise or lower the pull handle into the desired position. During Assembly, the rear pull handle should remain in its lowered position.

Step 1 - Install the **Heat Shield (B1)** to the firebox mounting brackets by engaging the tabs into the slots located in the mounting brackets as shown on the right.



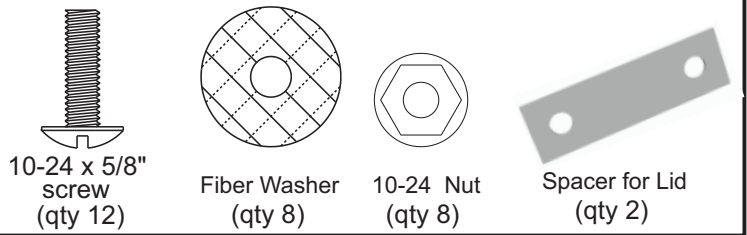
Step 2 - Install the **Fire Box Assembly (B2)** to the cart by first placing the firebox assembly onto the firebox mounting brackets. Be sure that the lid clasp is toward the front of the cart. Align the firebox screw holes with the corresponding holes in the mounting brackets. Insert 4 #10-24 x 1 1/4" machine screws and 4 fiber washers through the firebox and mounting brackets. Secure with 4 #10-24 nuts and 4 #10 lock washers from below the mounting brackets as shown below.



B

Part	Qty
B3- Hinge, RH	1
B4- Hinge, LH	1
B5- Grill Lid	1
B6- Heat Shield	1
B7- Handle	1

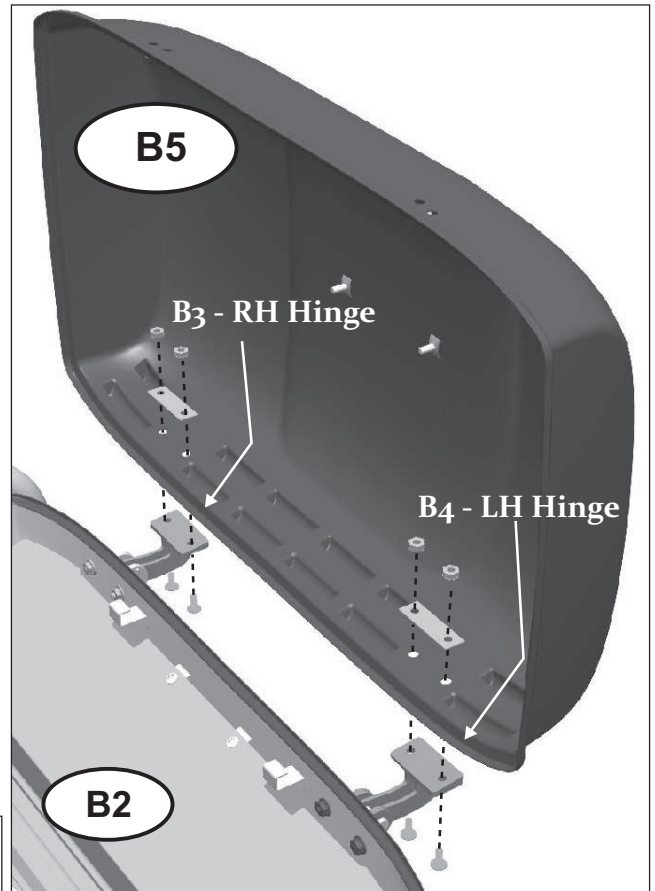
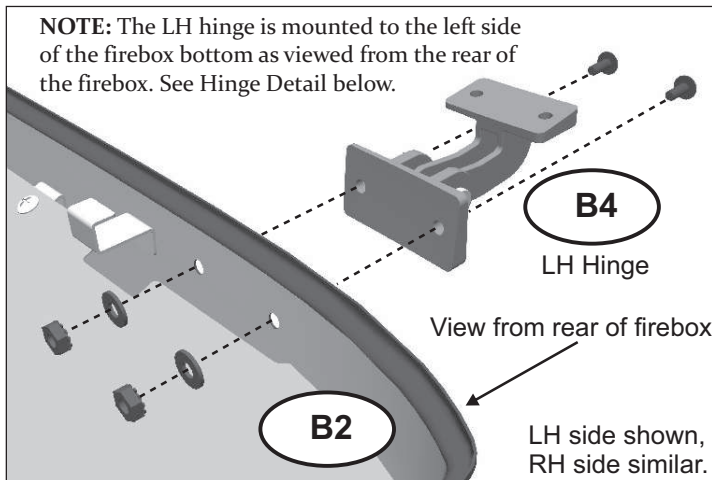
Fasteners



Step 3 - Attach the Hinges (LH and RH) (B4 & B3) to the Firebox Bottom by aligning the screw holes on the bottom of the grill with the corresponding holes in the hinges. Secure with 2 each #10-24x5/8" screws, 2 fiber washers and 2 #10-24 nuts as shown.

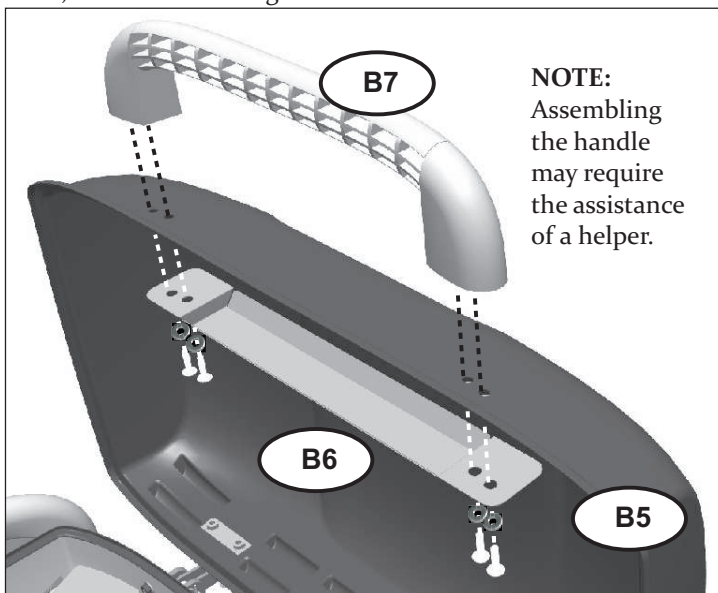
Step 4 - Attach the Grill Lid (B5) to the Hinges by aligning the screw holes on the grill lid with the corresponding holes in the hinges. Secure with 2 each #10-24x5/8" screws, 1 spacer and 2 #10-24 nuts as shown.

NOTE: The LH hinge is mounted to the left side of the firebox bottom as viewed from the rear of the firebox. See Hinge Detail below.



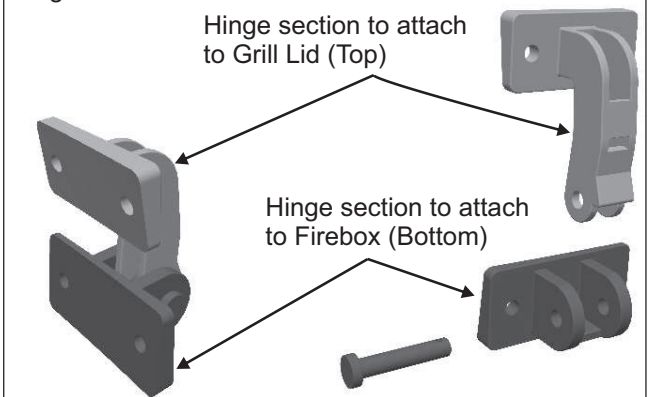
Step 5 - Attach the Heatshield (B6) and Handle (B7) the Grill Lid (B5) by aligning the screw holes in the handle and heatshield with the corresponding holes in the Grill Lid. Loosely install 1 10-24 x 5/8" Screw and 1 fiber washer on the LH side of handle. Loosely install a second 10-24 x 5/8" Screw and 1 fiber washer on the RH side of handle. Now install the remaining 2 10-24 x 5/8" Screws and 2 fiber washers. When all four screws and fibers washer have been started, tighten each screw, but do not over tighten the screws.

NOTE: The LH and RH hinge locations are referenced from the rear of the firebox.



NOTE: Assembling the handle may require the assistance of a helper.

Hinge Detail

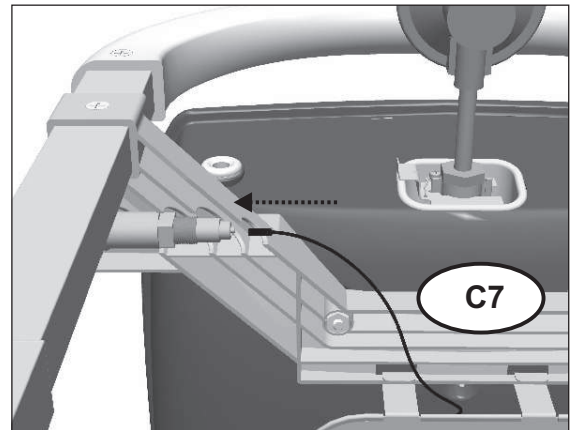
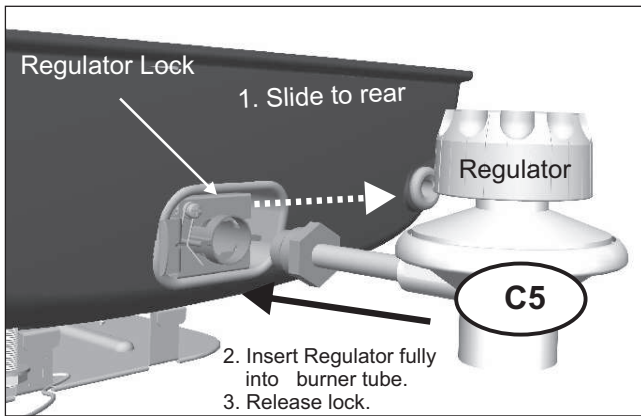


C

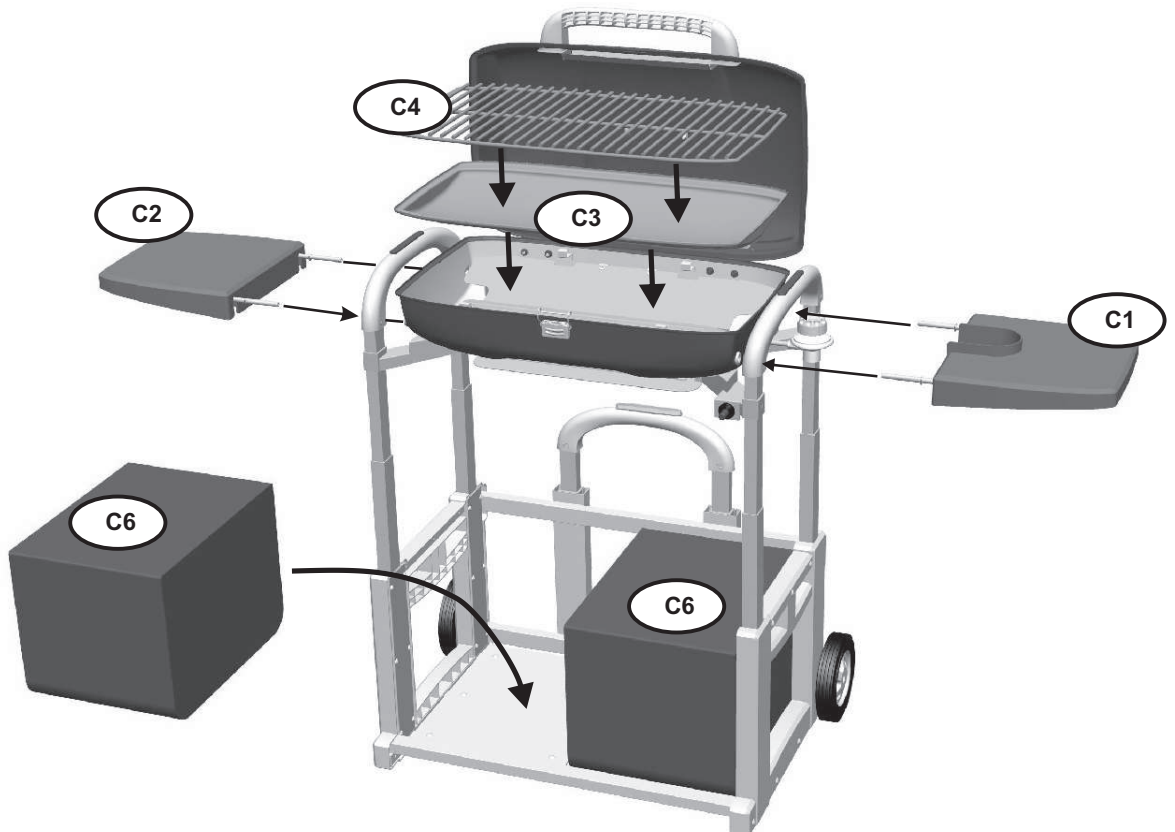
Part	Qty.
C1 – Side Shelf, RH	1
C2 – Side Shelf, LH	1
C3 – Trough	1
C4 – Cooking Grate	1
C5 – Regulator Control Valve	1
C6 – Cooler Bags/Coolers	2

Part	Qty.
C7 – Ignitor Wire	1

Step 1 - Install the **Regulator Control Valve (C5)** by first sliding the regulator lock toward the rear of the grill, inserting the **Regulator Control Valve** fully into the exposed burner tube, and then releasing the regulator lock. Next, press the end of the **Ignitor Wire (C7)** onto the push button ignitor as shown.



Step 2 - Place the **Side Shelves RH and LH (C1 & C2)** into position by aligning the mounting rods with the bushing located in the firebox bottom. Press the shelves into place firmly. Place the **Trough (C3)** into the Firebox Bottom, then place the **Cooking Gate (C4)** into the Trough. The **Cooler Bags (C6)** rest on the bottom shelf of the grill cart, as shown.





© 2009 Char-Broil, LLC • Columbus, GA 31902 • Printed in China